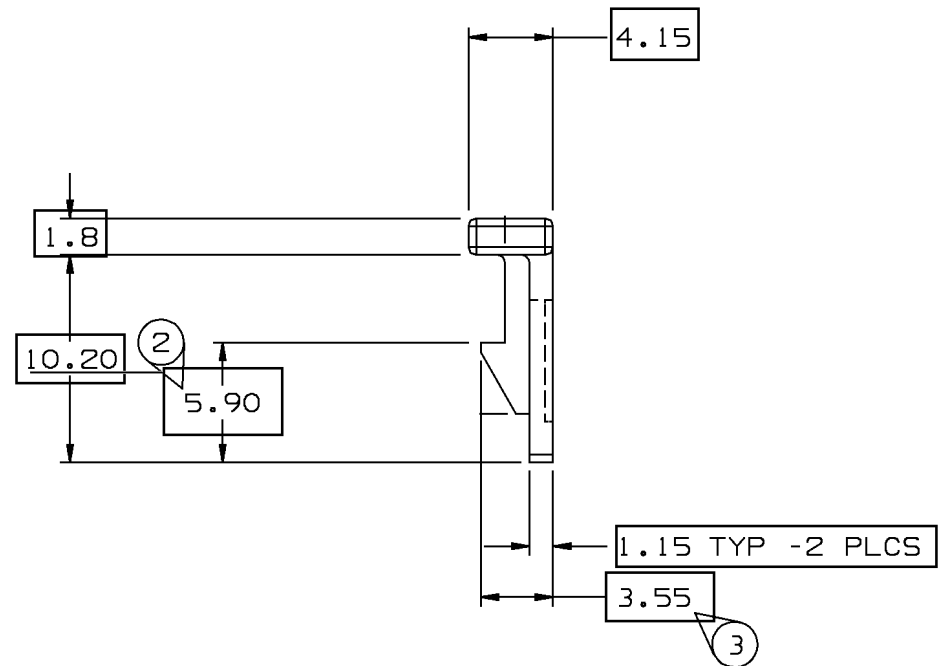
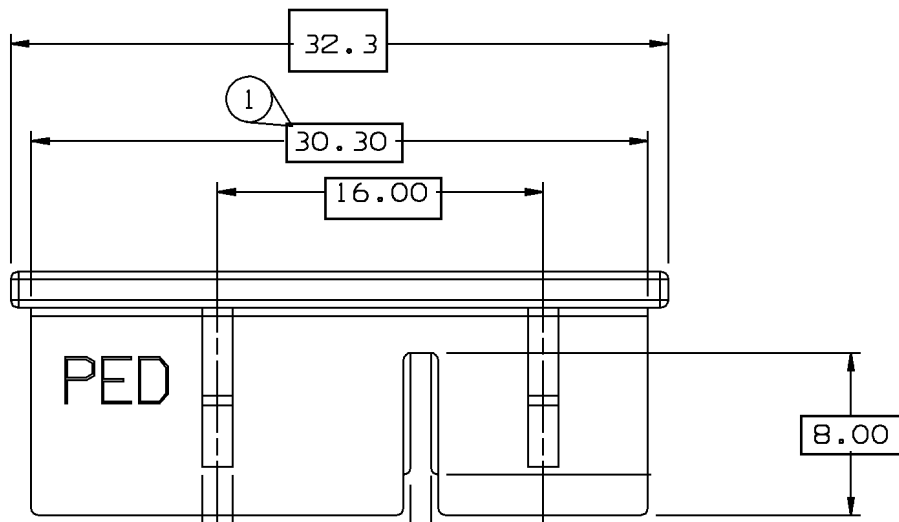
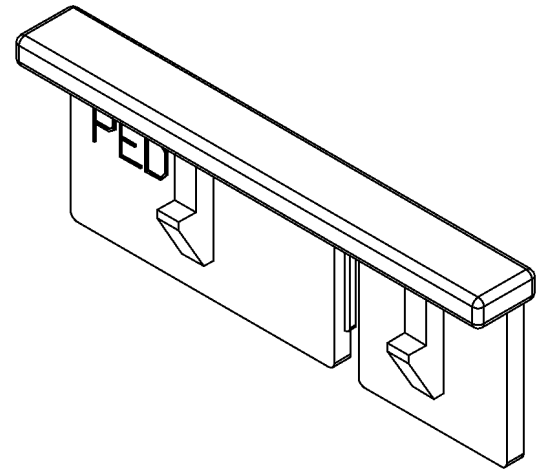


ACS.J1962F-TPA



* DIMENSIONS ARE IN MILLIMETERS UNLESS OTHERWISE SPECIFIED

* TOLERANCE UNLESS OTHERWISE SPECIFIED

ANGULAR: $\pm 2^\circ$

DECIMAL:

ONE PLACE ± 0.3

TWO PLACES ± 0.15